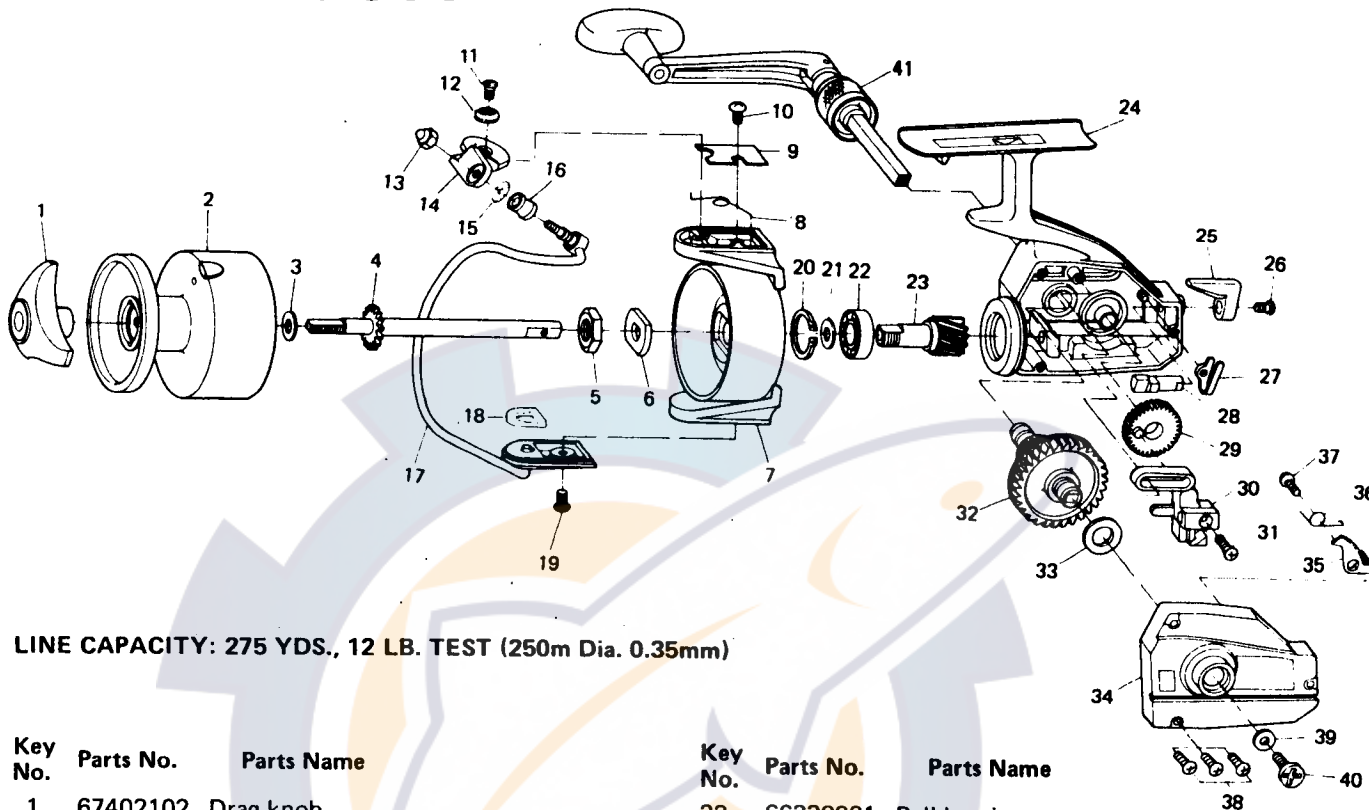


SPINNING REEL **2500c**



LINE CAPACITY: 275 YDS., 12 LB. TEST (250m Dia. 0.35mm)

Key No.	Parts No.	Parts Name	Key No.	Parts No.	Parts Name
1	67402102	Drag knob	22	66338001	Ball bearing
2	67310201	Spool assembly	23	64016611	Pinion
3	63749001	Spool washer	24	67001511	Body
4	67102013	Main shaft	25	65404922	Anti-reverse lever
5	63404601	Rotor nut	26	63511801	Anti-reverse lever screw
6	63724901	Rotor retaining washer	27	61506731	Anti-reverse lever spring
7	62012111	Rotor	28	64604721	Anti-reverse cam
8	61435311	Bail spring	29	64123401	Oscillating gear
9	66326411	Bail spring cover	30	64807711	Oscillating slider
10	63511801	Bail spring cover screw	31	63518901	Oscillating slider screw
11	63631901	Arm lever screw	32	64123311	Drive gear
12	61303201	Bail holder cap	33	63712800	Drive gear washer
13	63408501	Bail nut	34	67051517	Body cover
14	62308111	Arm lever	35	61109621	Anti-reverse claw
15	63734501	Bail washer	36	61423951	Anti-reverse claw spring
16	62502801	Line roller	37	63516102	Anti-reverse claw screw
17	67251111	Bail	38	63515901	Body cover screw
18	62103111	Balancer	39	63719521	Handle washer
19	63516601	Bail holder screw	40	63513631	Handle screw
20	63202111	Ball bearing retaining ring	41	67452101	Handle
21	63744211	Pinion washer			